

Operating Instructions

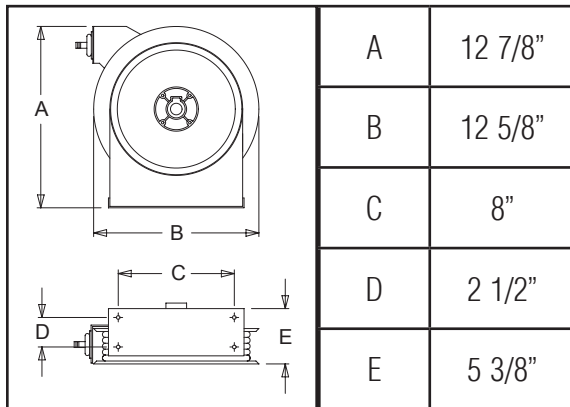
Series 4000 Spring Driven Hose Reels

Low Pressure Model Numbers:

4400 OLP	4430 OLP	4615 OLP	4620 OLP
4420 OLP	4435 OLP	4617 OLP	4625 OLP
4425 OLP	4600 OLP		



Dimensions



Four 5/16" diameter mounting holes

SAFETY

1. Do not use reel at higher pressures or temperatures than listed on the back of this bulletin.
2. Remove all spring tension before beginning disassembly process.

INSTALLATION:

A flexible hose connection must be used between the hose reel inlet and the source of supply to prevent possible misalignment and binding.

MOUNTING:

The hose reel is equipped with a universal mounting bracket so that it can be mounted on the floor, wall or ceiling; whichever place is convenient. The hose guide arm can be moved to the position desired by removing the screws fastening the guide bracket to the reel base. Shift the guide arm bracket so the hose comes off the reel at the desired position and replace the screws.

LUBRICATION:

Hose reel spring and bearings are factory lubricated and require no further lubrication.

REPLACING HOSE:

1. Wind spool flange clockwise-facing swivel-until spring is tight.
2. Back off three turns and latch.
3. Insert hose through roller guide.
4. Connect hose fitting to swivel joint and secure hose with clamps.

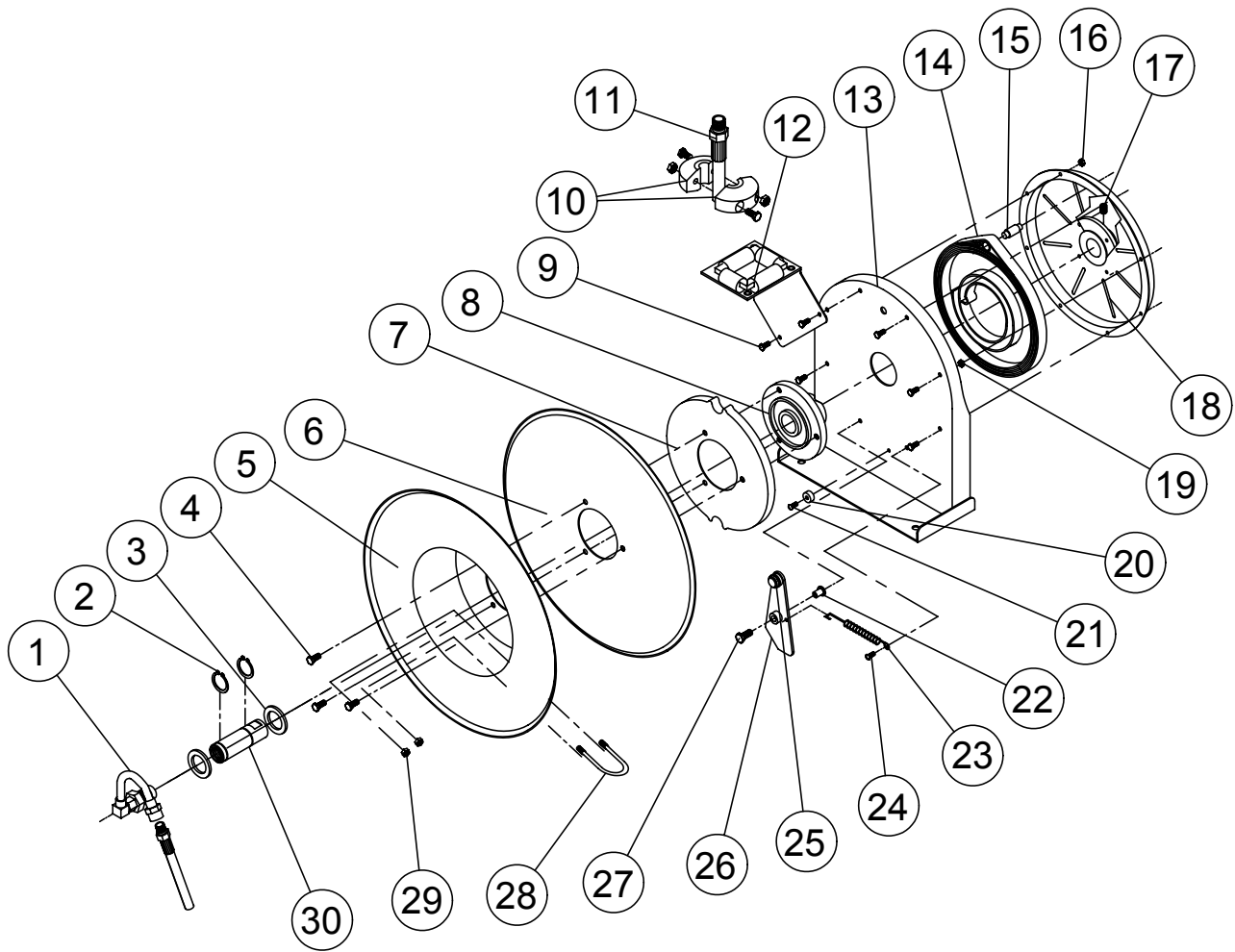
ADJUSTMENTS:

To adjust spring tension, add or remove wraps of hose from the spool, one wrap at a time until desired tension is obtained.

REPAIRS:

Extensive repairs should be performed only by an authorized serviceman or factory to avoid damage which may void your warranty. Remove all spring tension before beginning disassembly process.

Form# 491-884 Rev: 8/2011



Item #	Part #	# Req.	Description	Item #	Part #	# Req.	Description	Item #	Part #	# Req.	Description
1	600886	1	Swivel Assembly	12	400107	1	Guide Arm Assembly	22	400012	1	Latch Bushing
2	300031	2	1" Snap Ring	13	400101	1	Base Assembly	23	400018	1	Latch Spring
3	300034	2	Spacing Washer	15	261360	1	Spring Case Stud	24	300001	5	10-32 x 3/8" Screw
4	S295-102	3	1/4" Plastite Hex Screw	16	300011	7	10-32 Hex Lock Nut	25	400020	1	O-ring
5	400005	1	Flange Assembly	17	300006	1	3/8-16 x 1/2" Set Screw	26	400109	1	Latch Plate Assembly
6	400006	1	Sheave Disk	18	400103	1	Spring Case Assembly	27	300035	1	10-32 x 1" Mach. Screw
7	400019	1	Latch Cam	19	S82-15	1	10-32 x 3/8" Nyloc Nut	28	3-117440	1	U-bolt
8	260648	1	Spring Arbor	20	400021	1	Latch Bumper	29	261650-1	2	1/4-20 Zinc Nyloc Nut
9	300002	2	10-32 x 1/2" Screw	21	S32-136	1	10-24 x 3/8" Mach. Screw	30	400015	1	Main Shaft

Item #	Description	# Req.	4400 OLP	4420 OLP	4425 OLP	4430 OLP	4435 OLP	4600 OLP	4615 OLP	4617 OLP	4620 OLP	4625 OLP
10	Hose Bumper Assembly	1	None	A1-HR1004A	A1-HR1004A	A1-HR1004A	A1-HR1004A	None	A1-HR1004	A1-HR1004	A1-HR1004	A1-HR1004
11	Hose Assembly	1	None	601001-20	601001-25	601000-30	601001-35	None	601011-15	601011-17	601011-20	601013-25
14	Drive Spring Assembly	1	400030	400030	400030	400030	400030	404230	404230	404230	404230	404230
Hose I.D. and Length			None	1/4" x 20'	1/4" x 25'	1/4" x 30'	1/4" x 35'	None	3/8" x 15'	3/8" x 17'	3/8" x 20'	3/8" x 25'
Reel Inlet Connection			3/8" F.P.T.	3/8" F.P.T.	3/8" F.P.T.	3/8" F.P.T.	3/8" F.P.T.	3/8" F.P.T.	3/8" F.P.T.	3/8" F.P.T.	3/8" F.P.T.	3/8" F.P.T.
Max. Operating Pressure			500 P.S.I.	300 P.S.I.	300 P.S.I.	300 P.S.I.	300 P.S.I.	500 P.S.I.	300 P.S.I.	300 P.S.I.	300 P.S.I.	300 P.S.I.
Max. Operating Temperature			210° F	150° F	150° F	150° F	150° F	210° F	150° F	150° F	150° F	150° F